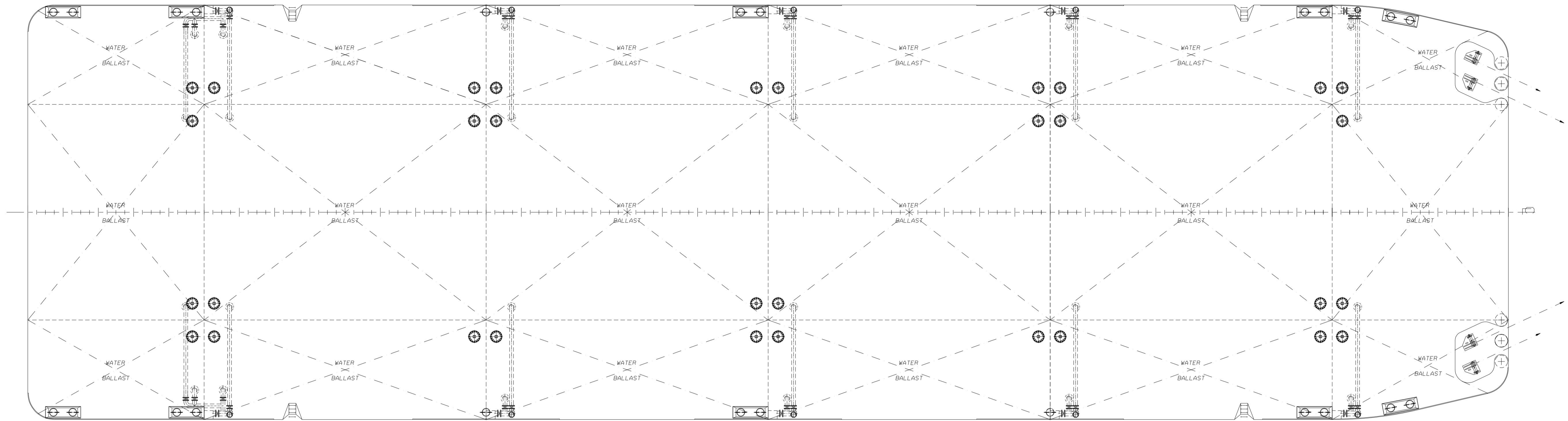
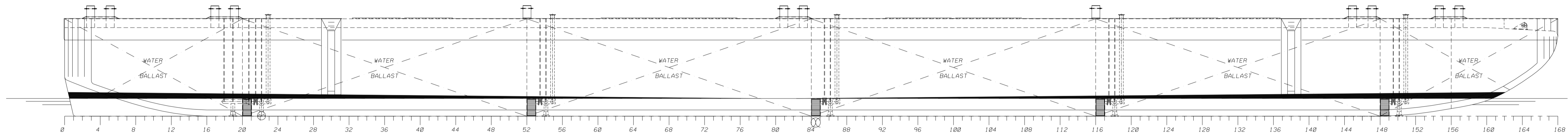


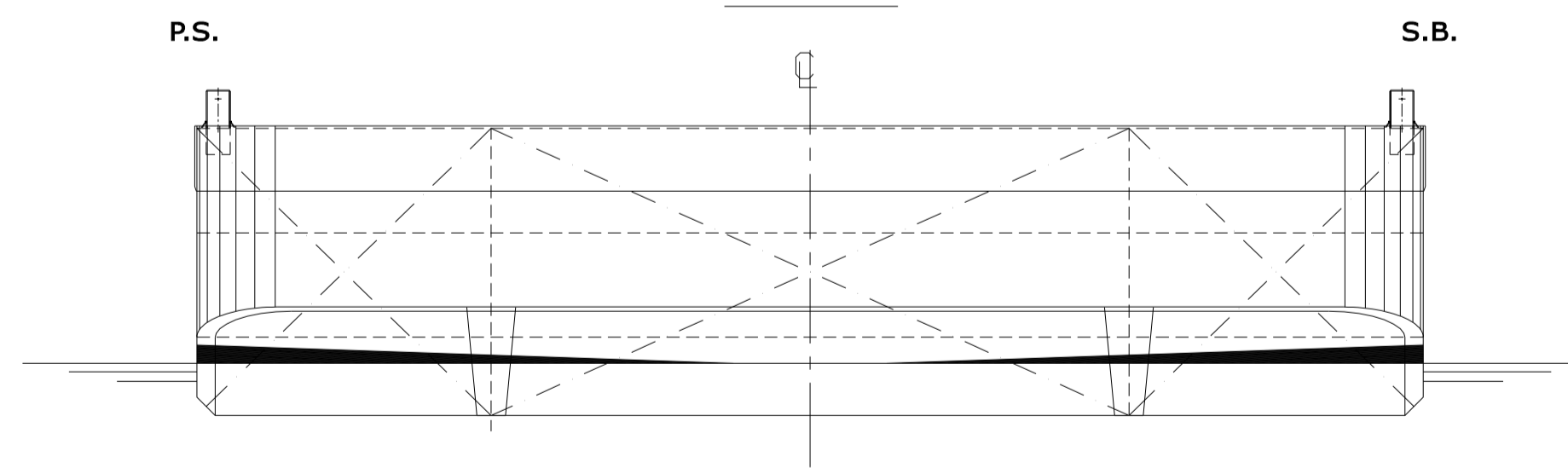
VIEW ON DECK



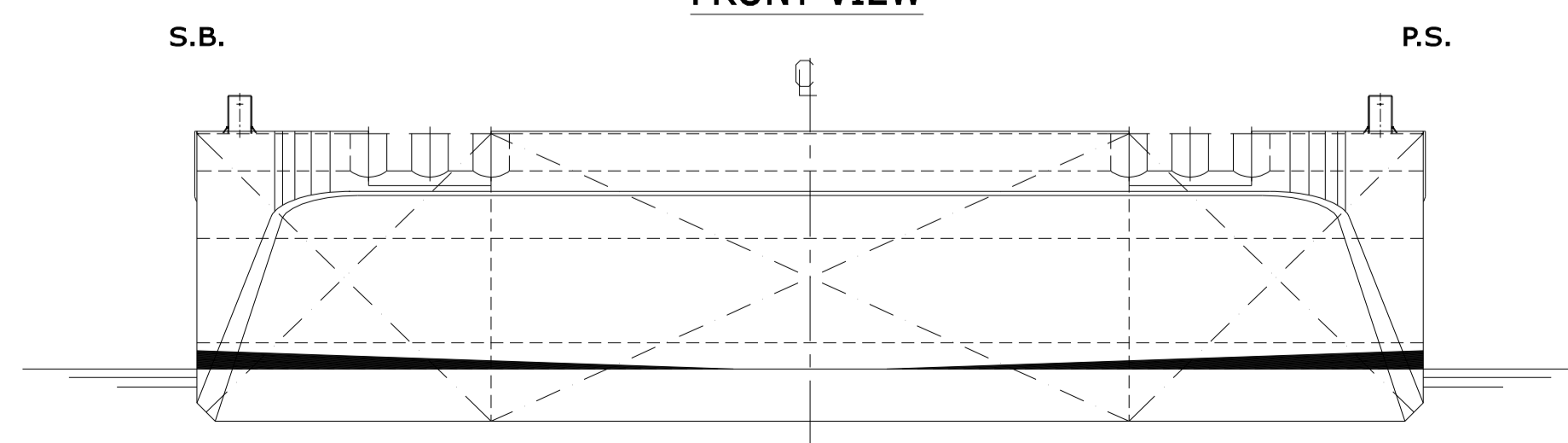
SIDE VIEW



AFT VIEW



FRONT VIEW



PRINCIPAL DIMENSIONS:

LENGTH O.A. 84.0 m
 BREADTH MO. 23.5 m
 DEPTH 5.5 m
 DRAUGHT 1.0 m

Lloyds register * 100 AN PONTOON

Marine Engineering Star bv
 Shipbuilding Projects
 Bermweg 95
 2907 LA Capelle a/d IJssel
 tel: +31 (0) 10 458 67 96
 fax: +31 (0) 10 458 62 45

REMARKS:

- FRAME SPACING 500 mm
- STRUCTURAL MEMBER DIMENSIONS ARE INDICATIVE
- FINAL STRUCTURAL MEMBER DIMENSIONS TO BE DETERMINED BY YARD IN ACCORDANCE WITH CLASS

Rev	Date	Drawn	Description	Chkd	P.Appr	E.Appr	Client	Date
D	15-Jan-07	KS	SUCTION TO AFTER-CENTRE					
C	27-Dec-06	KS	FOR CLASS APPROVAL					
B2	08-Nov-06	Gve	FOR CLIENT'S REVIEW, UPDATED	HvH	PKr	PKo	MMe	
B1	30-Oct-06	Gve	FOR CLIENT'S REVIEW, UPDATED	HvH	MdJ	PKo	MMe	
B	19-Oct-06	Gve	FOR CLIENT'S REVIEW	HvH	MdJ	PKo	MMe	
A	19-Oct-06	Gve	FOR INTERNAL REVIEW	HvH	MdJ	PKo		

Subject: GENERAL ARRANGEMENT

Project: DESIGN PROPOSAL SMITBARGE X

Client: SMIT TRANSPORT EUROPE BV

SMIT ENGINEERING
 P.O.Box 59052, 3008 PB Rotterdam
 E-mail: engineering@smit.com
 CAD-dwg not to be changed manually
 Orig. Size A1

All information and data on this drawing are property of Smit Engineering. No part from that may be disclosed, copied, duplicated or in any other way made use of without written consent or used other than on terms agreed in writing.

Scale: 1:125
 Drawing No: 06.12.087-D-001
 Sheet: 1 of 1