

HAPPY D-TYPE

LIFTING HEAVY
CARGO FOR
WORLDWIDE
TRANSPORT



GIANT
MARINE

BIG LIFT

HAPPY D-TYPE

NEWBUILDING HAPPY D-TYPE
 HAPPY DELTA, HAPPY DIAMOND, HAPPY DOVER, HAPPY DRAGON, HAPPY DYNAMIC

HATCH OPENINGS AND ALLOWABLE LOADS

HATCH OPENINGS

Weather deck	hold 1	25.6 x 17.8 m
	hold 2	70.4 x 17.8 m
Tween deck	Hold 1:	25.6 x 17.8 m
	Hold 2:	64.0 x 17.8 m

ALLOWABLE LOADS

Weather deck hatch covers	3.6 t/m
Tween deck hatch covers	5.5 t/m
Tank top	20.0 t/m ²

FLOOR SPACE

Weather deck		2,788 m ²
Tween deck	hold 1	1,456 m ²
	hold 2	1,253 m ²
Tank top	hold 1	398 m ²
	hold 2	1,090 m ²

CRANES

2 x 400 mt + 1 x 120 mt

COMBINABLE

800 mt

TROLLEY

50 mt SWL

PRINCIPAL DIMENSIONS

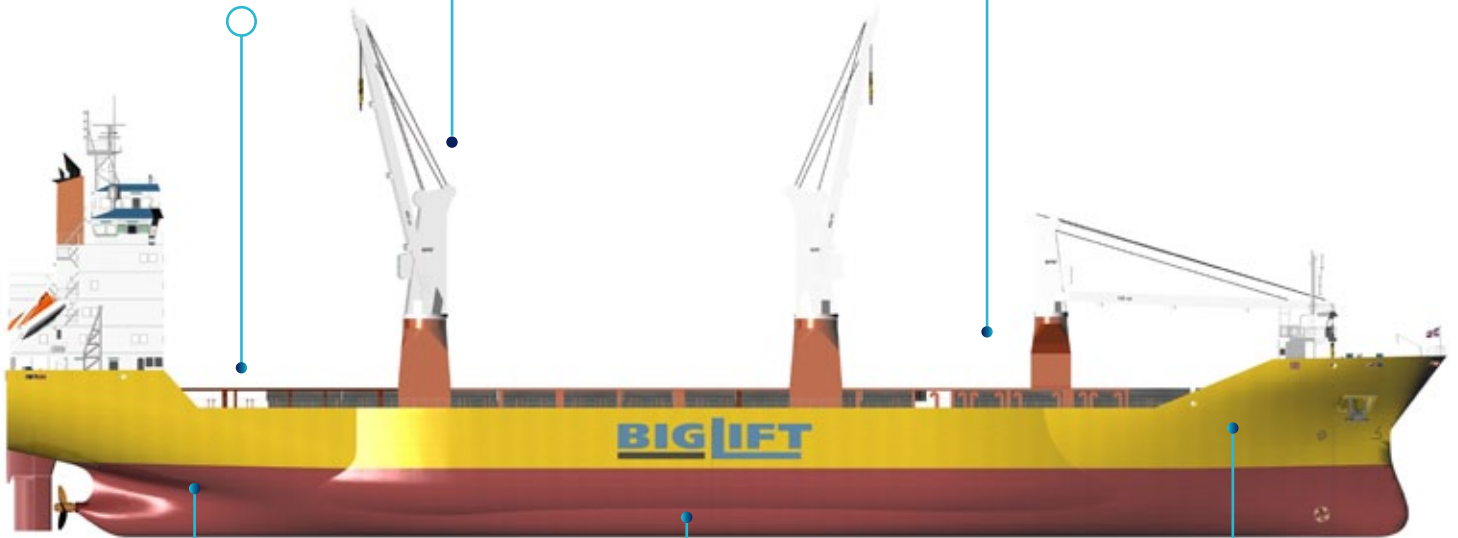
Length overall	156.93 m
Breadth moulded	25.60 m
Height in hold	13.25 m
Summer draft	10.32 m

REGISTRATION

The Netherlands

CLASS

Lloyds Register X100A1, Iceclass 1A (Finnish-Swedish Ice class rules), Strengthened for heavy cargoes, LA, LI, NAV1, *IWS, XLMC, UMS, with descriptive notes: PCWBT, BWMP, SCM



MAIN ENGINE

Wärtsilä	8400 kW
Bowthruster	850 kW
Service speed	17 kn at draft 7 m

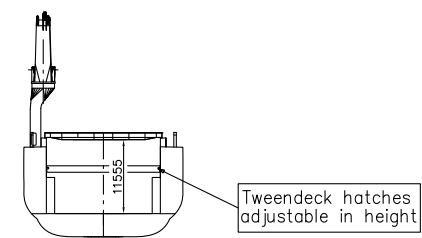
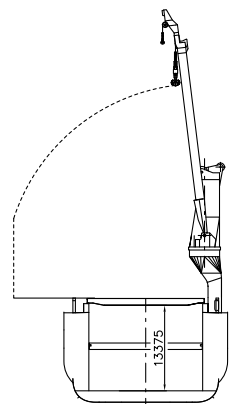
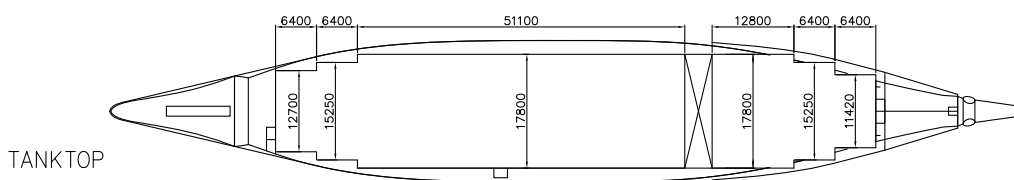
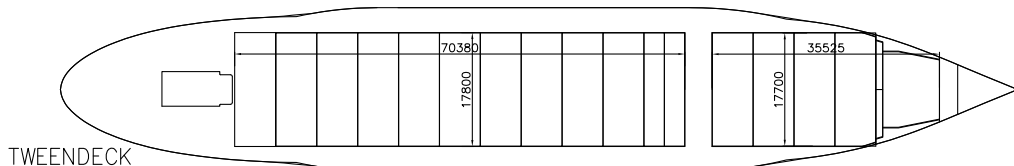
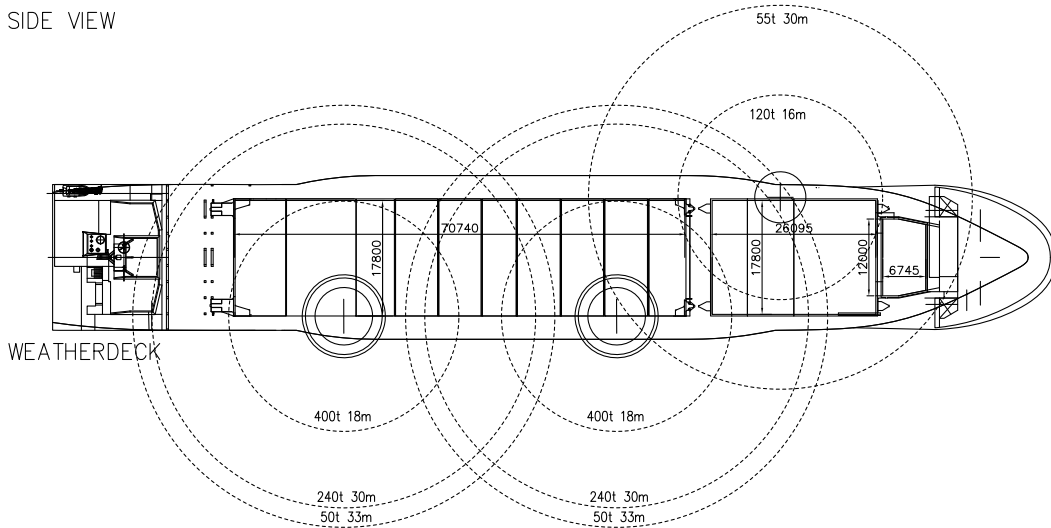
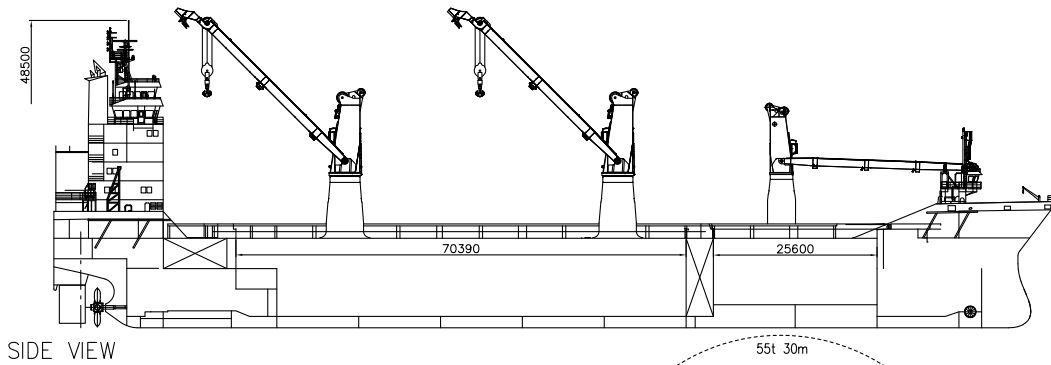
CAPACITY

Grain = bale	20,892 m ³
If tween deck installed	19,192 m ³

DEADWEIGHT

At Summer (sea water) draft
 17,518 mton inc. tween deck hatch covers, pillars

HAPPY D-TYPE



Vessel TC description - m.v. HAPPY DIAMOND

General	
type of vessel class	Multi-purpose – Heavy cargo vessel Lloyds Register \boxtimes 100 A1, Strengthened for Heavy Cargoes, Containers in Holds and on Weather deck Hatch Covers, Timber Deck Cargoes, *IWS, LI, Ice Class 1A FS, Weather deck hatch covers in No 2. Cargo hold may be omitted up to a maximum draught of 7.5 m, \boxtimes LMC, UMS, NAV1, descriptive notes: ShipRight (SCM), BWMP(S), PCWBT, tanktop suitable for regular discharge by grabs with a maximum unladen weight of 18 tonnes
built	2011
flag	Dutch
port of registry	Amsterdam
owner	Rederij Happy Diamond
P&I club	Standard Steamship Owners' P&I Bermuda
official number	22970 Z 2011
IMO no.	9551947
NSI No.	53218
call sign	PBXK
satelite number	phone
	GSM
	fax
	SAT-C telex
	e-mail
	+870 7731 55973
	+31 6 2379 8833
	+31 20 4489 144
	4246 66 310 / 311
	pbxk@globeemail.com
Measurements	
Length overall	156.92 m
Length between perpendiculars	147.98 m
Breadth overall	25.60 m
Depth moulded	13.972 m
Draft Summer (salt)	10.351 m
Deadweight Summer (salt)	18,163 mton exc TWC, 17,518 inc. TWC
Airdraft over keel	47.40 m
Immersion (min, 5m draft)	27.00 mton / cm
(max, 9m draft)	31.0 mton / cm
Floor space weather deck	1788 m ² (deck space only)
tween deck	Hold 1: 456 m ² Hold 2: 1253 m ²
lower hold	Hold 1: 398 m ² Hold 2: 1090 m ²
Cargo capacity hold 0	600 m ³
hold 1	5032 m ³ (in case tweendeck installed, 400 m ³ less)
hold 2	15860 m ³ (in case tweendeck installed, 1253 m ³ less)

<p>Hatches</p> <p>Weather deck hatch no. 0 hatch no. 1 hatch no. 2</p> <p>Tween deck hatch no. 1 hatch no. 2</p> <p>Bulkheads / compartments</p> <p>hold heights: hatch 1 hatch 2 low position: middle position high position</p> <p>Total height, no tween decks installed:</p> <p>Deck strength weather deck tween deck fixed tweedeck + monkey rocks tank top</p>	<p>6.740 x 12.000 25.596 x 17.800 m 70.389 x 17.800 m steel lift away, end folding type and rolling type</p> <p>25.596 x 17.800 m (4 steel pontoons 6.37 x 17.72 m) 63.999 x 17.800 m (11 steel pontoons: 2 of 3.17 x 17.70 m, 13 of 6.37 x 17.7 m)</p> <p>removable pontoons for up to 12 compartments</p> <table border="0"> <tr> <td>lower hold</td> <td>tween deck</td> </tr> <tr> <td>6.4831m</td> <td>4.075 m</td> </tr> <tr> <td>3.027 m</td> <td>9.105 m</td> </tr> <tr> <td>6.480 m</td> <td>5.895 m</td> </tr> <tr> <td>9.620 m</td> <td>2.755 m</td> </tr> </table> <p>hatch 1: 11.555 m, hatch 2: 13.375 m</p> <table border="0"> <tr> <td>2.6</td> <td>mton/m²</td> </tr> <tr> <td>3/6</td> <td>mton/m² panels 3-7 of hold 2</td> </tr> <tr> <td>5.5</td> <td>mton/m²</td> </tr> <tr> <td>12.0</td> <td>mton/m²</td> </tr> <tr> <td>20.0</td> <td>mton/m².</td> </tr> </table>	lower hold	tween deck	6.4831m	4.075 m	3.027 m	9.105 m	6.480 m	5.895 m	9.620 m	2.755 m	2.6	mton/m ²	3/6	mton/m ² panels 3-7 of hold 2	5.5	mton/m ²	12.0	mton/m ²	20.0	mton/m ² .
lower hold	tween deck																				
6.4831m	4.075 m																				
3.027 m	9.105 m																				
6.480 m	5.895 m																				
9.620 m	2.755 m																				
2.6	mton/m ²																				
3/6	mton/m ² panels 3-7 of hold 2																				
5.5	mton/m ²																				
12.0	mton/m ²																				
20.0	mton/m ² .																				
<p>Cargo facilities</p> <p>Cranes</p> <p>position No. 1 crane on PS No. 2 and 3 cranes on SB</p> <p>Cranes 2 and 3 working in tandem:</p> <p>auxiliary hoist cranes 2 and 3</p>	<table border="0"> <tr> <td>120</td> <td>mton SWL 16m, 90mt - 21m, 55mt - 30m</td> </tr> <tr> <td>400</td> <td>mton SWL at 6 – 18 m radius</td> </tr> <tr> <td>or 325</td> <td>mton SWL at 6 – 22 m radius</td> </tr> <tr> <td>or 200</td> <td>mton SWL at 4.5 – 30 m radius</td> </tr> <tr> <td>or 240</td> <td>mton SWL at 5 – 30 m radius</td> </tr> <tr> <td>max 800</td> <td>mton SWL (subject to cargo details)</td> </tr> <tr> <td>(basis list = 0)</td> <td></td> </tr> <tr> <td>50</td> <td>mton SWL at 6.5 – 33 m radius</td> </tr> </table>	120	mton SWL 16m, 90mt - 21m, 55mt - 30m	400	mton SWL at 6 – 18 m radius	or 325	mton SWL at 6 – 22 m radius	or 200	mton SWL at 4.5 – 30 m radius	or 240	mton SWL at 5 – 30 m radius	max 800	mton SWL (subject to cargo details)	(basis list = 0)		50	mton SWL at 6.5 – 33 m radius				
120	mton SWL 16m, 90mt - 21m, 55mt - 30m																				
400	mton SWL at 6 – 18 m radius																				
or 325	mton SWL at 6 – 22 m radius																				
or 200	mton SWL at 4.5 – 30 m radius																				
or 240	mton SWL at 5 – 30 m radius																				
max 800	mton SWL (subject to cargo details)																				
(basis list = 0)																					
50	mton SWL at 6.5 – 33 m radius																				
<p>Lifting beams</p> <p>capacity / length</p>	<p>2 units, SWL 440 mton, length 12 m between outer lifting points. Own weight per beam 16 mton</p>																				



<p>Mechanical details mechanical ventilation, empty holds</p> <p>CO₂ evaporator power supply reefer plugs</p>	<p>hatch 0: 11x per hour hatch 1: 20x per hour hatch 2: 15x per hour</p> <p>yes yes; capacity 20t/day 440 volts, 60 Hz up to 1275 kW, 60 pcs</p>																								
<p>Tank capacities ballast fresh water IFO MDO</p>	<p>7,675.00 m³ 200.00 m³ 1,500.00 m³ 310.00 m³</p>																								
<p>Speed/Consumption Speed through water with fuel consumption basis IFO 380 centistokes; wind not exceeding 2 beaufort; calm smooth sea without current; deep water; draft 8 m</p>																									
<p>Fuel consumption per day (even keel)</p> <p>In port:</p>	<p>abt. 25 mt IFO 380 cSt at 14.5 kn abt. 30 mt IFO 380 cSt at 15.5 kn abt. 37 mt IFO 380 cSt at 16.0 kn no MDO at sea, except for manoeuvring</p> <p>abt. 3.8 ton MDO per day, cargo gear working abt. 1.7 ton MDO per day, cargo gear idle</p>																								
<p>Engine type</p> <p>bow thruster capacity ballast pumps, capacity ballast Interling system</p>	<p>Wärtsilä 8400 kW engine</p> <p>Bowthruster 850 kW 2 pumps, each approx. 500 m³/hr 4 tanks total 436 m³ max. ballasting 200 m³ in 3 minutes</p>																								
<p>Cargo space tween deck hatch 1 open tween deck hatch 1 closed</p> <p>container capacity deck hold (upto IMO line) (basis 20 ton / teu, 30 ton / feu)</p>	<p>22,775.90 m³, hatch 2 NOT installed 21,606.40 m³, hatch 2 in low position 21,624.90 m³, hatch 2 in middle / high position</p> <table border="1" data-bbox="743 1738 1193 1892"> <thead> <tr> <th>TEU</th> <th>FEU</th> <th>+</th> <th>45'</th> <th>+</th> <th>TEU</th> </tr> </thead> <tbody> <tr> <td>630</td> <td>145</td> <td>+</td> <td>92</td> <td>+</td> <td>156</td> </tr> <tr> <td><u>461</u></td> <td><u>215</u></td> <td></td> <td></td> <td>+</td> <td><u>31</u></td> </tr> <tr> <td><u>1091</u></td> <td><u>360</u></td> <td>+</td> <td><u>92</u></td> <td>+</td> <td><u>187</u></td> </tr> </tbody> </table>	TEU	FEU	+	45'	+	TEU	630	145	+	92	+	156	<u>461</u>	<u>215</u>			+	<u>31</u>	<u>1091</u>	<u>360</u>	+	<u>92</u>	+	<u>187</u>
TEU	FEU	+	45'	+	TEU																				
630	145	+	92	+	156																				
<u>461</u>	<u>215</u>			+	<u>31</u>																				
<u>1091</u>	<u>360</u>	+	<u>92</u>	+	<u>187</u>																				



stackloads	deck	52 ton/stack TEU, 60 ton/stack FEU
	tween deck	48 ton/stack TEU, 52 ton/stack FEU
	hold	125 ton/stack TEU, 175 ton/stack FEU
Remarks: Vessel is fully equipped Vessels is fully self-sustained.		

All details are approximate and without guarantee. They must not be used as basis for charter parties or contracts without owner's explicit written authority.

GIANT MARINE, General Agents for BigLift Shipping B.V

To contact us, click on the "CONTACT US" button available on each page of this website and fill up the form.